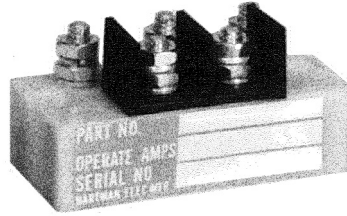


Q-50 Series Relay, Current Indicator, Rated up to 3.5 Amps, 28 Vdc

Product Facts

- SPDT
- Environmentally sealed
- Meets many requirements of MIL-PRF-6106



Performance Data

Electrical Characteristics

Contact Arrangement — SPDT

Contact Rating @ 28 Vdc — 0.25 Amp

Lamp Load @ 28 Vdc — 0.080 Amp

Rated Operating Voltage — 28 Vdc

Sensing Current Rating — 3.5 Amps, continuous

Pickup Max. — 2 Amp DC

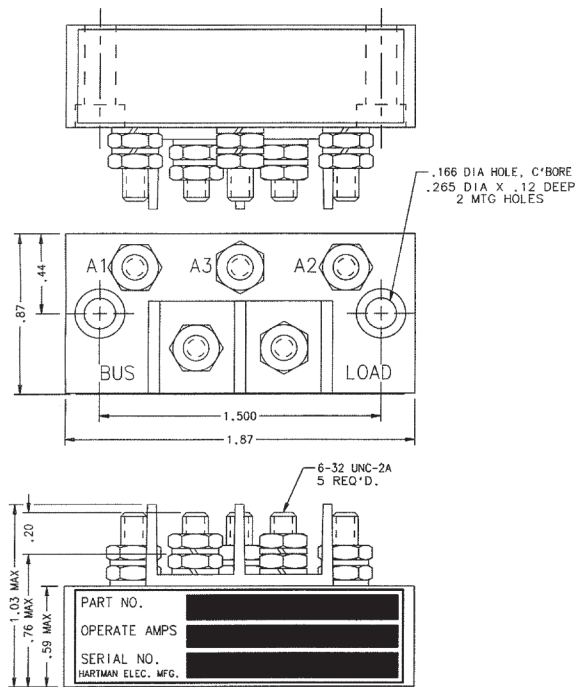
Dropout Min. — 0.8 Amp

General Characteristics

Temperature Range — -55°C to +71°C

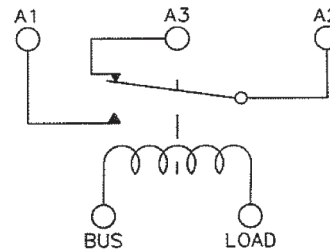
Altitude, Max. — 50,000 ft

Weight, Max. — 1.25 oz



Mounting Style A

Circuit Configurations (Consult factory for other available circuit configurations)



Circuit Configuration 1

For factory-direct application assistance, phone 419-521-9500 or fax 419-526-2749.

HARTMAN Part Number	Construction Type	Mounting Style	Duty Cycle	Circuit Config.	TE Part Number
Q-50F	Environmentally Sealed	A	Continuous	1	1616131-9